

Hand pallet truck 2.3 ton

BT lifter

L-series

LHM230SI



Hand pallet truck

Truck specifications					LHM230SI
Identification	1.1	Manufacturer			Toyota
	1.2	Manufacturer's type designation			LHM230SI
	1.4	Operator type			Hand
	1.5	Load capacity/rated load	Q(t)	kg	2300
	1.6	Load centre distance	c	mm	600
	1.8	Load distance, centre of drive axle to fork	x	mm	985 ¹⁾
	1.9	Wheelbase	y	mm	1170 ¹⁾
Weight	2.1	Service weight		kg	63
	2.2	Axle load, with load, drive/castor/fork wheel		kg	375/805
	2.3	Axle load, without load, drive/castor/fork wheel		kg	20/10
Wheels	3.1	Steer/fork wheels: Rubber (R), Friction (F)			R/F
	3.2	Wheel size, front			175x60
	3.3	Wheel size, rear			85x75
	3.5	Wheels, number front/rear (x = driven wheels)			2/4
	3.6	Track width, front	b ₁₀	mm	132
	3.7	Track width, rear	b ₁₁	mm	364
Dimensions	4.4	Lift	h ₃	mm	115
		Lift height	h ₂₃	mm	200
	4.9	Height of tiller in drive position, min./max.	h ₁₄	mm	1220
	4.15	Height, lowered	h ₁₃	mm	85
	4.19	Overall length	l ₁	mm	1500
	4.20	Length to face of forks	l ₂	mm	365
	4.21	Overall width	b ₁ /b ₂	mm	520
	4.22	Fork dimensions	s/e/l	mm	45/156/1150 ²⁾
	4.25	Width over forks	b ₅	mm	520 ²⁾
	4.32	Ground clearance, centre of wheelbase	m ₂	mm	40
	4.33	Aisle width for pallets 1000x1200 crossways	A _{st}	mm	1525
	4.34	Aisle width for pallets 800x1200 lengthways	A _{st}	mm	1725
4.35	Turning radius	W _a	mm	1370	

1) Distance with forks raised.

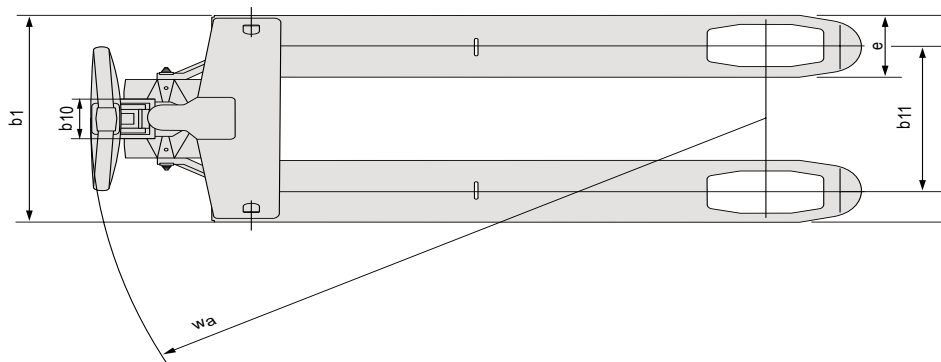
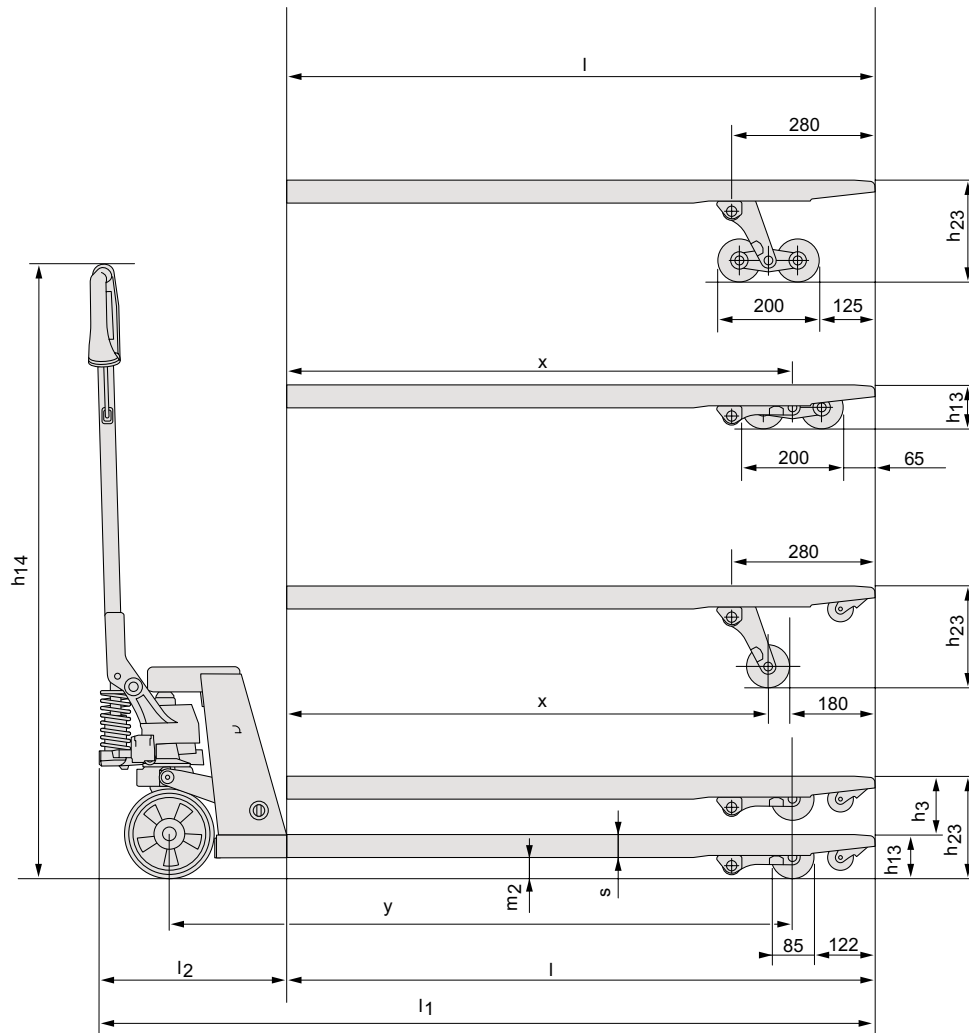
2) Other fork length available: 800/910/1000/1070/1220

All data are based on table configuration. Other configurations may give other values.

Truck performance and dimensions are nominal and subject to tolerances.

Toyota Material Handling products and specifications are subject to change without notice.

Dimensional drawings



Truck features:

- The BT Lifter Silent is designed to generate a minimum of noise when moving loads in all types of applications.
- Recommended and certified truck specification for silent operation.
- The BT Lifter Silent generates a maximum noise level of 60 dBA according to the testing guidelines of the Dutch PEAK programme, and is therefore certified accordingly.
- The BT Lifter Silent can be equipped with Quick lift and/or overload limitation functions.
- Strong powerful thrust bearing is standard, for easier steering and enhanced durability.
- BT Lowering Control valve enables smooth, controlled lowering action.
- Angled high strength polymer handle for best ergonomic grip.
- Powder coating and robot welding give a high and even finish.
- This product has been environmentally declared.
- Quiet Mark is a mark of approval awarded by the Noise Abatement Society to world wide manufacturers for a selection of the quietest products currently available on the market.



TMHE-Toyota Material Handling Europe — 745348-040, version 6, 2026 -03-31

TOYOTA

MATERIAL HANDLING